



Description

HiFlex LED flood light is designed for high mounting applications, such as large soccer fields, large plazas, 200W-600W with small beam angle could position certain areas, to minimize glare and maintain control of uniformity. The module can be adjusted vertically to maintain and light uniformity on the ground.

Key Features

- Modular design from 200W to 600W.
- Vertically angle adjustment, easy way to adjust the light angle and create diversity of lighting environment.
- This convenient and humanized design enables it to fit for different requests in outdoor lighting applications.
- Multiple optics options from 30°, 45° to 60° to offer excellent light pollution control.
- Electrophoresis and powder coating with strong anti-corrosion.
- Efficiency up to 130lm/W, more energy saving.
- Provided with 10KV Build-in Surge Protection Devices.

Applications

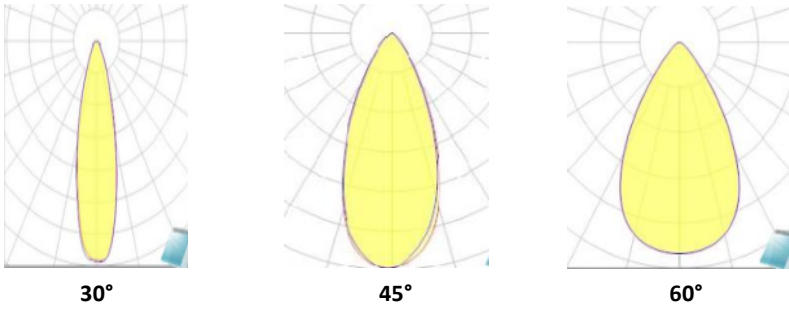
- Parking lots
- Outdoor sports
- Square
- Stadium
- For recreational sports (tennis courts, basketball courts...)
- Exhibition Center
- Soccer field

Specifications

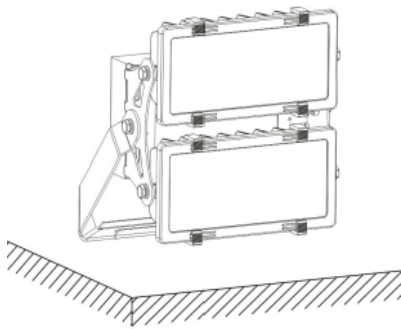
Model No.	FL13-200	FL13-400	FL13-600
Power Consumption	200W	400W	600W
LED Type	SEOUL 5050 OR LUMILEDS 5050		
Luminous Flux (5000K, Ra70)	26000(±5%)lm	52000(±5%)lm	78000(±5%)lm
Efficacy (5000K)	130(±5%) LM/W		
Correlated Color	5000K (3000K, 4000K optional)		
Temperature Color Rendering Index	Ra80		
Beam Angle	F06003, F06005, F06006		
Power Supply	INVENTRONICS		
Input Voltage	100-240 VAC / 100-277 VAC		
Power Factor	>0.92		
Frequency	50 / 60 Hz		
Surge Protection	6kV line-line, 10kV line-earth		
Driver Type	Constant Current (CC)		
Product Dimension	321×316×115mm (12.64"×12.44"×4.53")	419×340×222mm (16.5"×13.39"×8.74")	529×340×226mm (20.83"×13.39"×8.9")
Luminaire Net Weight	4.1±0.3kg (9.04±0.66Lbs)	9.4±0.3kg (20.72±0.66Lbs)	15.3±0.5kg (33.73±1.1Lbs)
Export Carton Size	360×160×375mm (14.17"×6.3"×14.76")	478×270×390mm (18.82"×10.63"×15.35")	598×280×400mm (23.54"×11.02"×15.75")
Gross Weight	4.7±0.3kg (10.36±0.66Lbs)	10.6±0.3kg (23.37±0.66Lbs)	16.8±0.5kg (37.04±1.1Lbs)
Material	Housing	Aluminum Alloy	
	Optics	Tempered Glass and Polycarbonate Optical Lens	
Finish	Powder Coating		
Fixture Color	Silver		
IP Rating	IP66		
Mounting Option	Bracket Mounting / Pole Mounting		
Operating Temperature	-30°C to + 40°C (-22°F to 104°F)		
Life Time	>50,000Hrs (Ta=30°C@L70)		
Warranty	5 Years		
Dimmable	Dimmable and Non-dimmable		
Intelligent Control	/		
Accessory	Visor		

DATASHEET

Photometry



Mounting Options



Bracket Mounting

Accessories



Dimensions

